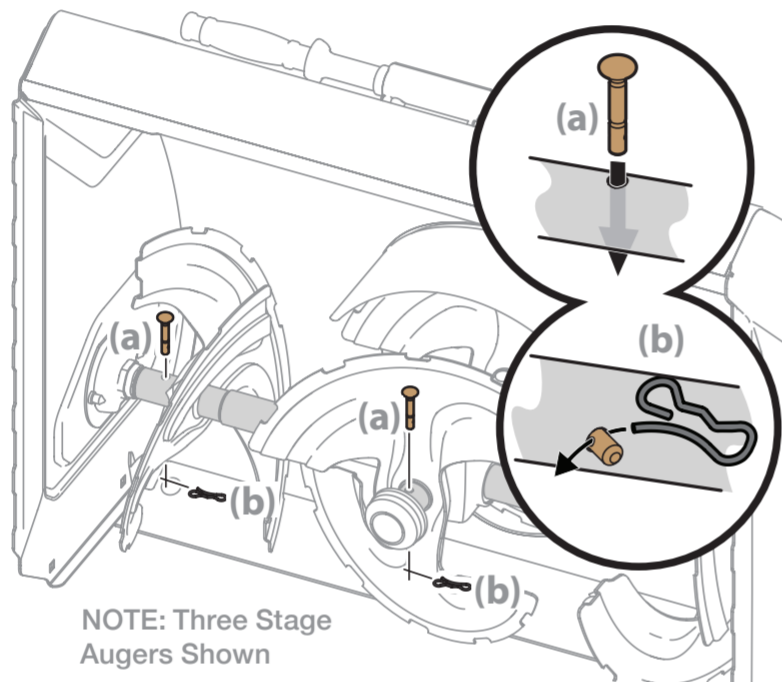


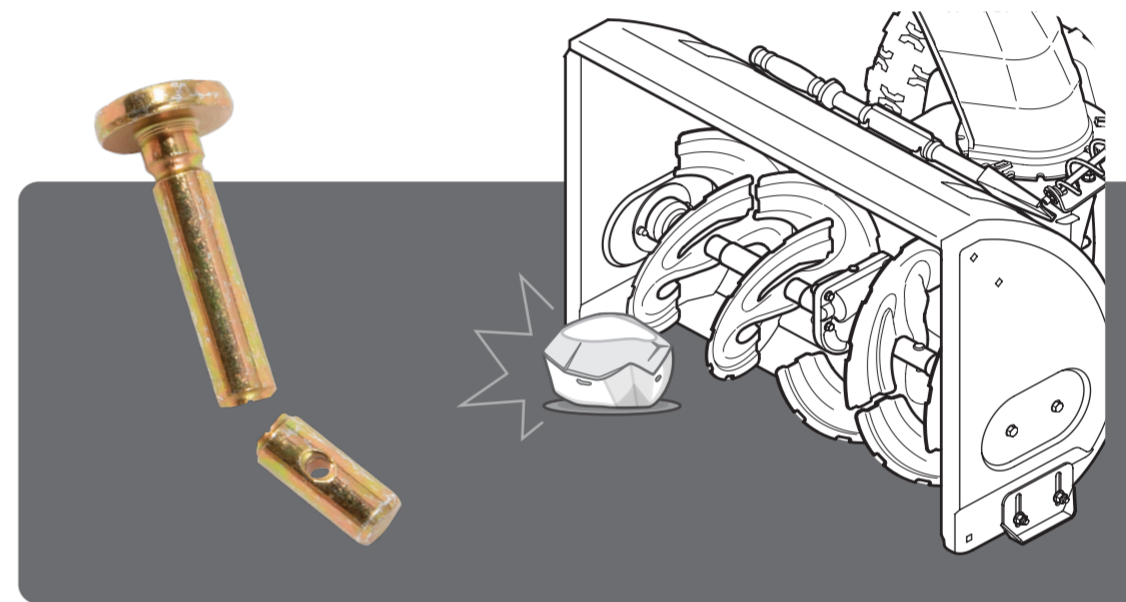


Benefits of Shear Pins

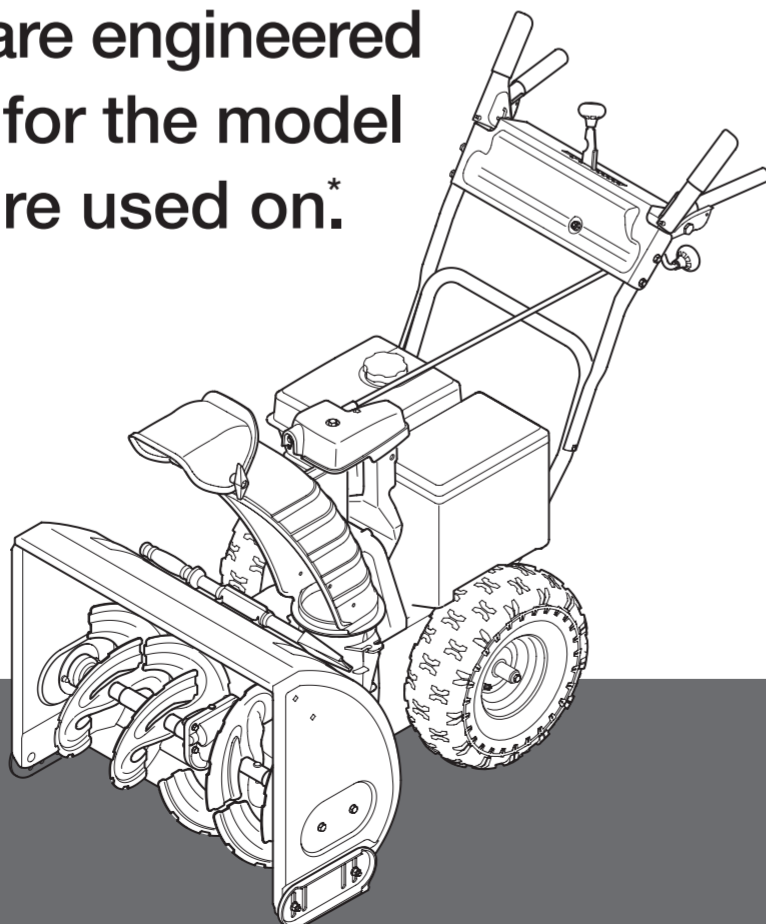
- Shear pins secure the augers of your snow blower to the cross shaft that drives the augers.



- Shear pins are designed to break if the snow blower hits a hard object preventing damage to more expensive parts.



- Shear pins are engineered specifically for the model series they're used on.*



- To help prevent downtime, keep extra pins on hand so you're not left out in the cold.



*Refer to your owner's manual for the shear pins that will work with your unit. Use of the wrong shear pin or a standard bolt may result in severe damage to the auger system components.