

# ASSEMBLY

**NOTE:** All references in this manual to the left or right side and front or back of the tractor are from the operating position only. Exceptions, if any, will be specified.

**NOTE:** Some components may come already assembled. If they are already assembled, skip ahead to the next step.

## Preparation

Before beginning installation, remove all the contents from the crate and all the hardware from the pack to make sure everything is present. Hardware is listed below.

## Contents of Crate

- Riding Mower
- Steering Pedestal Cap
- Discharge Chute Assembly
- Hardware Bag
- Product Registration Card
- Operator's Manual
- Mulch Plug
- Battery Charger
- Steering Wheel/ Shaft Assembly
- Seat Assembly
- Front Bumper
- Battery Charger Manual
- Hardware Pack: Seat Mounting Bracket (w/ two shoulder bolts & lock nuts installed)

## Recommended Tools for Assembly

- 1/4" or 3/8" drive ratchet
- 3/8" wrench and/or socket
- 7/16" wrench and/or socket
- 1/2" wrench and/or socket
- 9/16" wrench and/or socket
- Phillips screw driver

## Manually Moving the Tractor

### ⚠ CAUTION

Never tow your tractor. Towing the tractor with the rear wheels on the ground may cause severe damage to the drive motors.

The tractor can be moved as long as the parking brake is not set. The tractor can be pushed slowly.

## Installing the Steering Wheel Assembly

1. Slide the pedestal cap (a) onto the steering shaft (b) so that when the steering shaft (b) is installed on the tractor, the pedestal cap (a) will be upright as shown in Figure 1.
2. Remove the shoulder bolt (c) and lock nut (d) from the steering shaft and retain for later steps. See Figure 2.
3. Position the steering wheel assembly over the lower steering shaft on the tractor. Align the steering wheel so that its largest opening faces forward when the tractor wheels are straight.
4. Lower the steering wheel assembly (a) onto the lower steering shaft (b) and secure with the shoulder bolt (c) and lock nut (d) previously removed. See Figure 2.

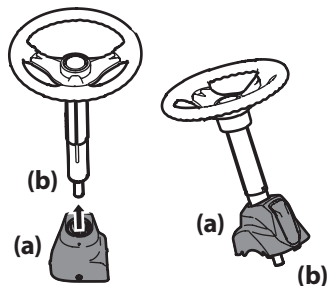


Figure 1

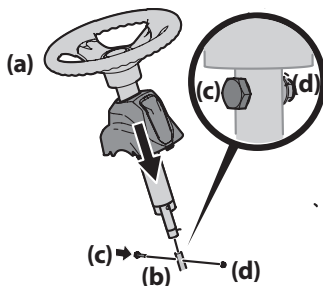


Figure 2

5. Tighten the shoulder bolt and lock nut using a 9/16" wrench or socket and 7/16" wrench or socket.
6. Remove the pedestal cap mount screw (factory installed) located on the tractor's steering console. Retain the screw for later instructions. See Figure 3.
7. Connect the headlight wire terminals (a). Slide the pedestal cap (b) down onto the tractor and slightly rotate to the right to clip into place. Secure the pedestal cap (b) with the screw (c) previously removed. See Figure 3.

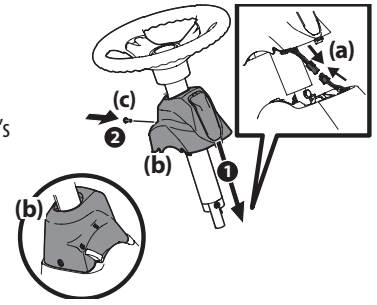


Figure 3

## Installing Operator's Seat

1. Remove the shoulder bolts (a) and lock nuts (b) from the seat mounting bracket (c) included in your hardware pack. See Figure 4.
2. Remove the two self-tapping bolts (a) factory installed on the tractor. See Figure 5.
3. Align the seat bracket (a) in place over the holes from where the self-tapping bolts (b) were removed, as shown in Figure 6.
4. Using a 1/4" drive ratchet with a 3/8" socket, secure the seat bracket (a) with the self-tapping bolts (b) removed in Step 2. See Figure 6.

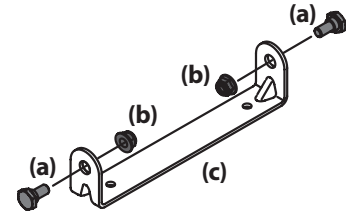


Figure 4

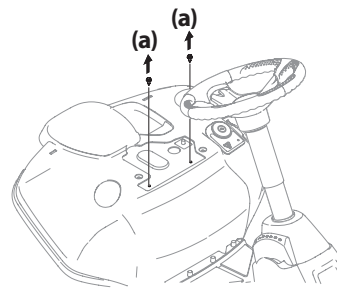


Figure 5

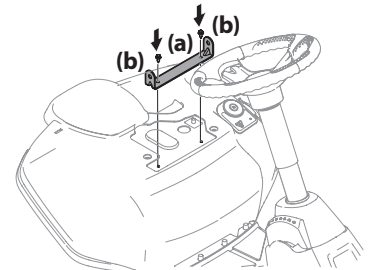


Figure 6

### ⚠ CAUTION

Do not use any type of power tool (e.g. impact gun or electric drill with nut driver attached) when tightening the self-tapping bolts to attach the seat bracket.

5. Position the seat assembly over the seat mounting bracket, aligning the holes provided. See Figure 7.
6. Install the two shoulder bolts (a) and lock nuts (b) removed from the seat mounting bracket (c) in Step 1. See Figure 7.

**NOTE:** Make sure that the bolt's shoulder is completely recessed into the seat bracket when securing the lock nut.

7. To adjust the position of the seat, loosen the adjustment knob (d) on the bottom of the seat. Slide the seat forward or backward as desired. Securely retighten the adjustment knob. Refer to (d) in Figure 7.

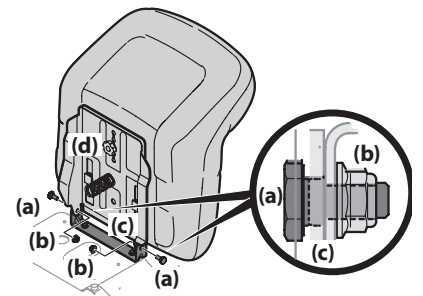


Figure 7

# ASSEMBLY

## ⚠ WARNING

Never operate this tractor without either the mulch plug or deck chute installed.

### Installing the Deck Chute

1. Remove the wing knobs (a) installed on the mowing deck and retain for later installation. See Figure 8.
2. Install the deck chute (b) into the discharge opening on the deck. The rear of the chute should be under the tab (f) on the rear deck bracket (g). The studs (c) on the deck surface will fit through the holes on the upper portion of the deck chute. The small tab (d) on the deck lip area will fit through the square cutout on the lower portion of the deck chute. See Figure 8.

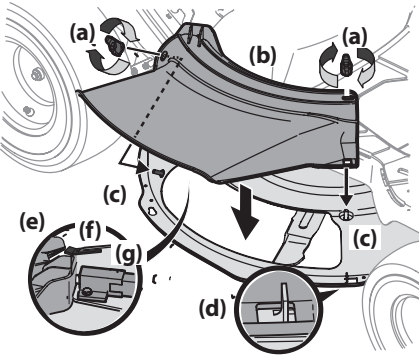


Figure 8

**IMPORTANT!** Make certain that the upper-rear portion of deck chute (b) is depressing the safety switch (e) located on the deck surface and under the tab (f) on the rear deck bracket (g). The blade(s) will not start without the deck chute (b) properly in place.

3. Secure the deck chute (b) by tightening the wing knobs (a) removed in Step 1.

### Installing the Mulch Plug (If equipped)

1. Remove the wing knobs (a) installed on the mowing deck and retain for later installation. See Figure 9.
2. Install the mulch plug (b) into the discharge opening on the deck. The rear of the mulch plug (b) should be under the tab (f) on the rear deck bracket (g). The studs (c) on the deck surface will fit through the holes on the upper portion of the mulch plug (b). The small tab (d) on the deck lip area will fit through the square cutout on the lower portion of the mulch plug (b). See Figure 9.

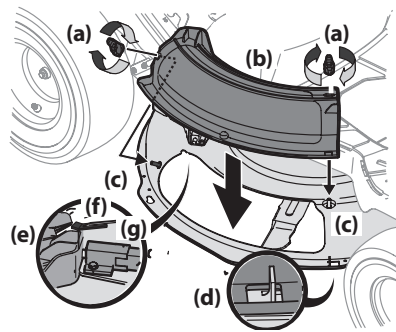


Figure 9

**IMPORTANT!** Make certain that the upper-rear portion of mulch plug (b) is depressing the safety switch (e) located on the deck surface and under the tab (f) on the rear deck bracket (g). The blade(s) will not start without the mulch plug (b) properly in place.

3. Secure the mulch plug (b) by tightening the wing knobs (a) removed in Step 1.

### Installing the Bumper (If equipped)

1. Remove the two screws (a) from the front and center of the front axle. See Figure 10.
2. Position the bumper (b) over the mounting holes and secure using the screws (a) removed in Step 1. See Figure 10.

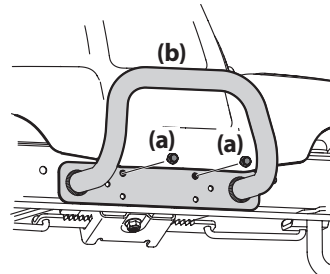


Figure 10

### Checking Tire Pressure

See the tire sidewall for the proper inflation pressure. Proper inflation pressure should be maintained at all times.

**NOTE:** The tires on your tractor may be over-inflated for shipping purposes. If necessary, reduce the tire pressure before operating the tractor.

## Charging the Battery

## ⚠ WARNING

- California Proposition 65: Cancer and reproductive harm – [www.P65Warnings.ca.gov](http://www.P65Warnings.ca.gov).
- The battery contains corrosive fluid and toxic material — **HANDLE WITH CARE.** Keep away from children. Do not puncture, disassemble, mutilate, or incinerate. Explosive gases could be vented during charging or discharging. Charge in a well ventilated area, away from sources of ignition.
- Recharge only with the charger provided with this tractor. A charger that is not suitable for this machine may damage the batteries or create the risk of fire.
- Do not charge or operate the tractor in the rain or in wet conditions.

Refer to the manual packed with your battery charger for further information and instructions on charging the battery. The charging port is located on the rear body panel of the tractor.

To charge the battery:

1. Lift the charge port cover (a). See Figure 11 for Style 1 (725-07253) and Figure 12 for Style 2 (T56XXX Series Chargers).
2. Insert the charging cord (b) into the charging port (c). See Figure 11 for Style 1 and Figure 12 for Style 2.
3. Plug charger power cord (b) into wall receptacle (outlet).

**NOTE:** It will take approximately 4 hours to fully charge the battery.

**NOTE:** The battery icon on the Vehicle Control Module (VCM) will blink continuously when charging and the LCD display will display percentage of charge. The battery is completely charged when the battery icon is solid and the LCD displays 100%.

**NOTE:** When the charging cord is plugged into the tractor and not yet plugged into the wall, the battery icon will illuminate continuously until the cord is plugged into the wall.

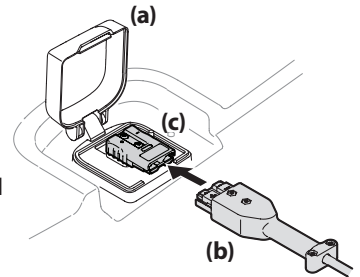


Figure 11

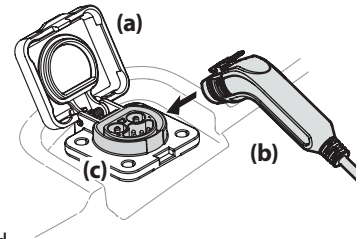


Figure 12

If at any time your charger displays a fault while charging your battery, follow these procedures:

1. Power off the tractor.
2. Unplug the charging cord from the tractor.
3. Unplug the charger power cord from the power source.
4. Plug the charger power cord back into the power source.
5. Plug the charging cord back into the tractor.
6. If the fault persists contact qualified service personnel.

**NOTE:** Rechargeable batteries degrade with time and use. The battery may eventually need to be replaced. To have the battery replaced, contact your authorized service dealer.

**NOTE:** Using an old or faulty battery could cause a system fault that results in loss of power.

### Battery Charging Tips

- The battery should be fully charged before the initial use.
- The battery should be fully charged after each use. Storing the battery in a discharged state could reduce performance.
- The battery will turn off automatically after a complete charge.
- It will take approximately 4 hours to fully charge the battery. Leaving the battery connected to the charger for more than 4 hours will not damage the battery.
- The battery does not develop a memory and does not need to be fully discharged before recharging.
- Always disconnect battery charger (or extension cord, if used) from the electrical receptacle (outlet) first, then disconnect the charging cord from the charging port.
- Never charge a frozen battery.
- It is recommended that the tractor be charged once every month during off-season storage.